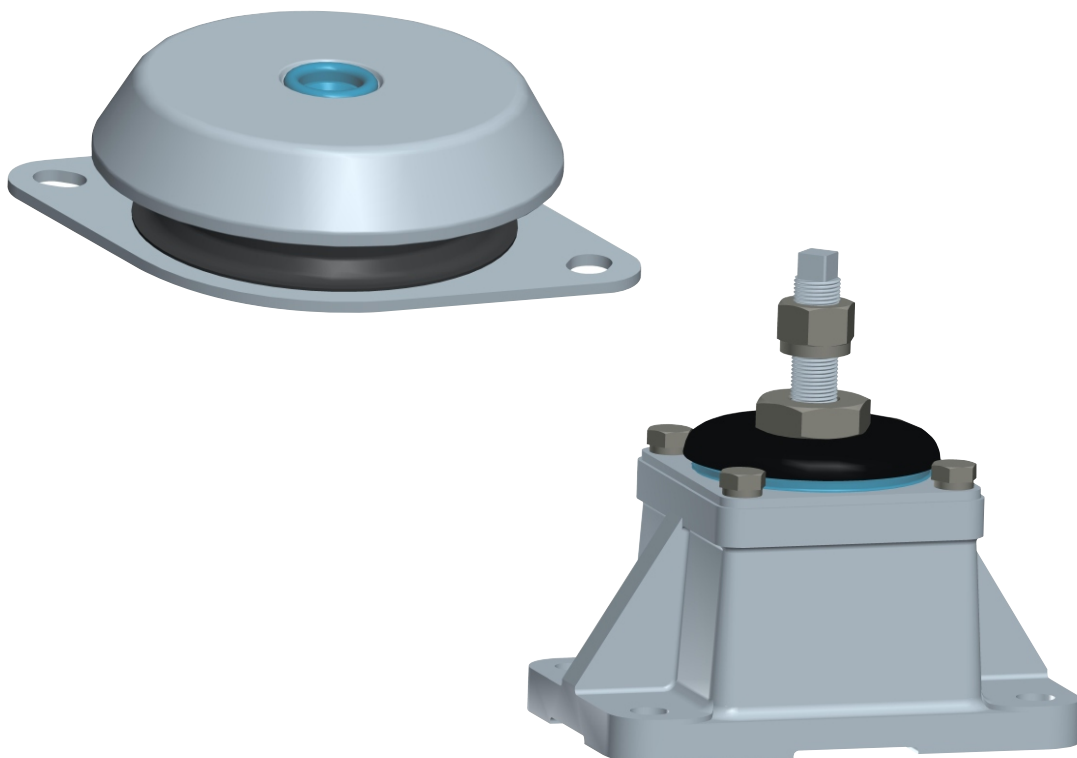


WVIS C/M

技术数据 / TECHNICAL DATA



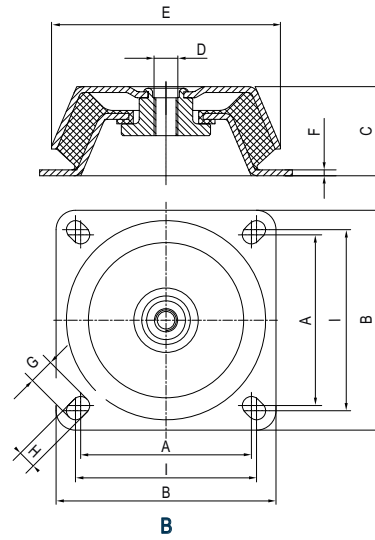
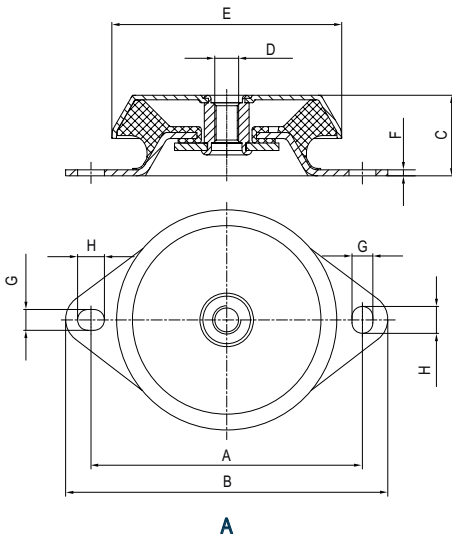
WVIS-C型隔振器技术数据

TECHNICAL DATA OF WVIS-C

结构特点与型式 / Type and Characteristics

碗形上盖，保护橡胶免受环境影响；结构紧凑，布置方便。

Cover bowl structure, protect rubber from the environmental influence; Compact structure, easy arrangement.



主要尺寸 / Main Dimensions

型号 / Type	A	B	C	D	E	F	G	H	I
WVIS-CA	124	144	35.0	M12	∅93	2.5	10.0	10.0	
WVIS-CB	135	171	39.0	M16	∅106	3.0	13.0	20.0	
WVIS-CC	182	226	48.5	M24	∅144	3.0	18.0	24.0	
WVIS-CM5	182	216	52.5	M20	∅154	4.0	14.0	18.0	
WVIS-CK	150	190	66.5	M20	∅185	4.0	21.6	14.5	160

性能参数 / Performance Parameters

型号 Type	标定橡胶硬度** Nominal Rubber Hardness** SH [A]	垂向静刚度* Vertical Stiffness* Cz ± 20% [kN/mm]	最大垂向载荷 Max Vertical Load [kN]	结构形式 Structure	重量 Weight [kg]
WVIS-CA	55	1.00	2.7	A	0.42
WVIS-CB	55	1.20	5.0	A	0.62
WVIS-CC	55	2.00	8.0	A	1.54
WVIS-CM5	55	0.65	6.8	A	1.66
WVIS-CK	55	2.95	15.0	B	2.84

* 表内数据是在产品垂向变形3mm时测得，实际数据随产品垂向变形的不同而略有改变。

* Vertical stiffness in the table is obtained at vertical deformation 3 mm, the actual vertical stiffness with different vertical deformation can have a little deviation.

** 其他橡胶硬度的产品性能参数备索。

** Other stiffness and load capacity are available at request.

应用场合 / Application

各类陆用中小型动力设备，如：发电机组，空压机及泵组。

All kinds of land use small and medium power equipment, such as power generation unit, air compressor and pump.

WVIS-M型隔振器技术数据

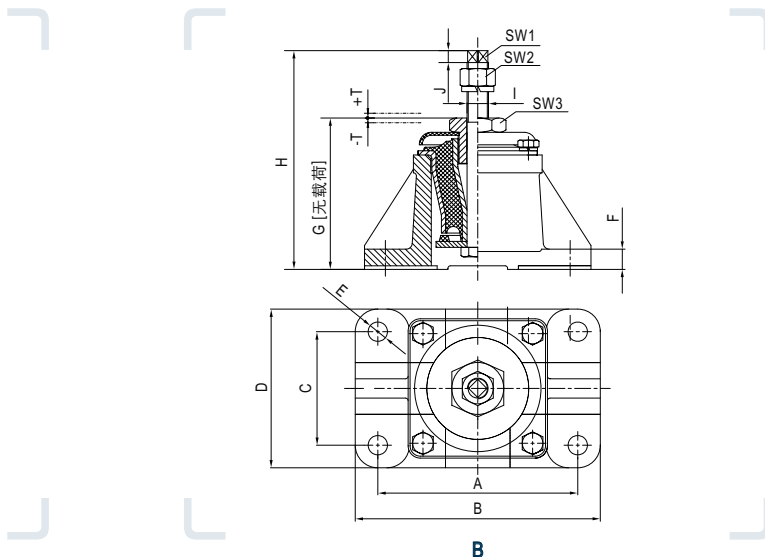
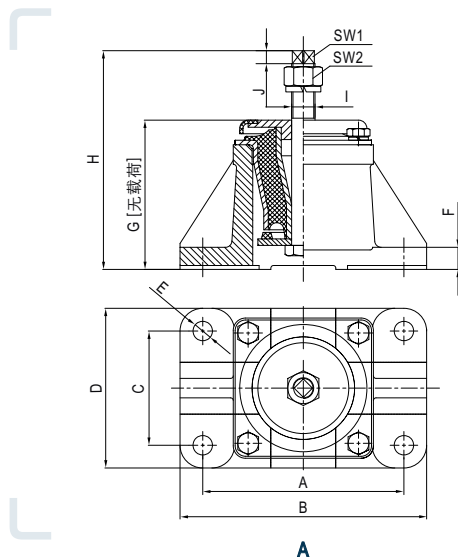
TECHNICAL DATA OF WVIS-M

结构特点与型式 / Type and Characteristics

垂向属大变形结构，横向刚度大，利于设备的稳定性；带防油装置。

Large vertical deformation, big transverse stiffness, beneficial to equipment stability; Oil protection cover.

B型具有高度可调特性 / Type B Height Adjustable



主要尺寸 / Main Dimensions

型号 / Type	A	B	C	D	E	F	G	H	I	J	T	SW1	SW2	SW3
WVIS-MKA	155	190	88	123	∅ 15.0	17	115.0	168.5	M18×1.5	10		12	27	
WVIS-MKD	155	190	88	123	∅ 15.0	17	127.0	183.5	M18×1.5	10	4	12	27	41
WVIS-MA	165	205	105	145	∅ 17.0	25	168.5	249.0	M24×1.5	12		15	36	
WVIS-MD	165	205	105	145	∅ 17.0	25	182.0	262.0	M24×1.5	12	5	15	36	55
WVIS-MIA	205	255	130	180	∅ 19.5	28	245.5	240.0	M24×1.5	12		15	36	

性能参数 / Performance Parameters

型号 Type	标定橡胶硬度** Nominal Rubber Hardness**	垂向静刚度* Vertical Stiffness*	最大垂向载荷 Max Vertical Load	结构形式 Structure	重量 Weight
	SH [A]	Cz ± 20% [kN/mm]	[kN]		[kg]
WVIS-MKA	60	1.35	9.6	A	16.6
WVIS-MKD	60	1.35	9.6	B	18.0
WVIS-MA	60	2.75	16.5	A	18.2
WVIS-MD	60	2.75	16.5	B	20.0
WVIS-MIA	60	9.65	57.9	A	37.0

* 表内数据是在产品垂向变形3mm时测得，实际数据随产品垂向变形的不同而略有改变。

* Vertical stiffness in the table is obtained at vertical deformation 3 mm, the actual vertical stiffness with different vertical deformation can have a little deviation.

** 其他橡胶硬度的产品性能参数备索。

** Other stiffness and load capacity are available at request.

应用场合 / Application

各类减震要求高的大型动力设备，如：船舶主辅机、铁路机车等。

All kinds of large power equipment with high anti-vibration requirements, such as: the ships auxiliary drives, locomotive, etc.



无锡伏尔康科技有限公司 | 江苏省无锡市新区新洲路科技产业园93D-3号, 214028
WUXI VULKAN Technologies Co., Ltd. | Xinzhou Road, Lot 93D-3 in Wuxi Science & Technology Industrial Park 214028, Jiangsu Prov., China
Phone + 86 (0) 510 8534 2222 | Fax + 86 (0) 510 8534 2345 | Mail service@vulkanchina.com | Internet www.vulkanchina.com